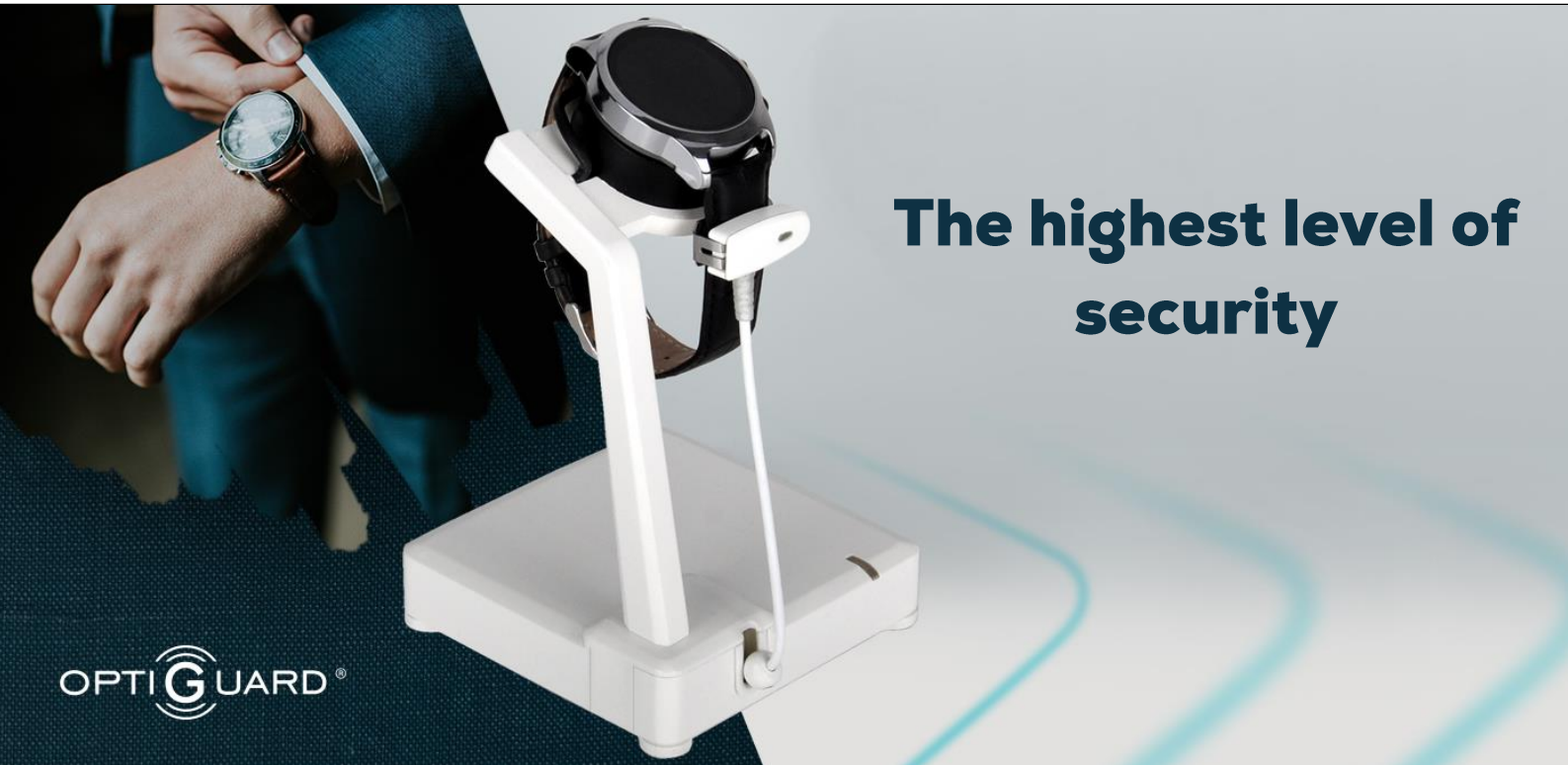


OPTI FITTING & PROTECTION WATCH



The highest level of security

OPTIGUARD®

FEATURES AND BENEFITS OF THE PRODUCT



- convenient presentation for customers



- wide range of protected smartwatches



- great mobility and work effectiveness of sales personnel



- ideal solution for: retail chains, points of service, mobile phone operators



- protects mechanically and electronically



- acoustic and visual indication of the working status (loudspeaker and LEDs)



- provides charging of products



- auxiliary power



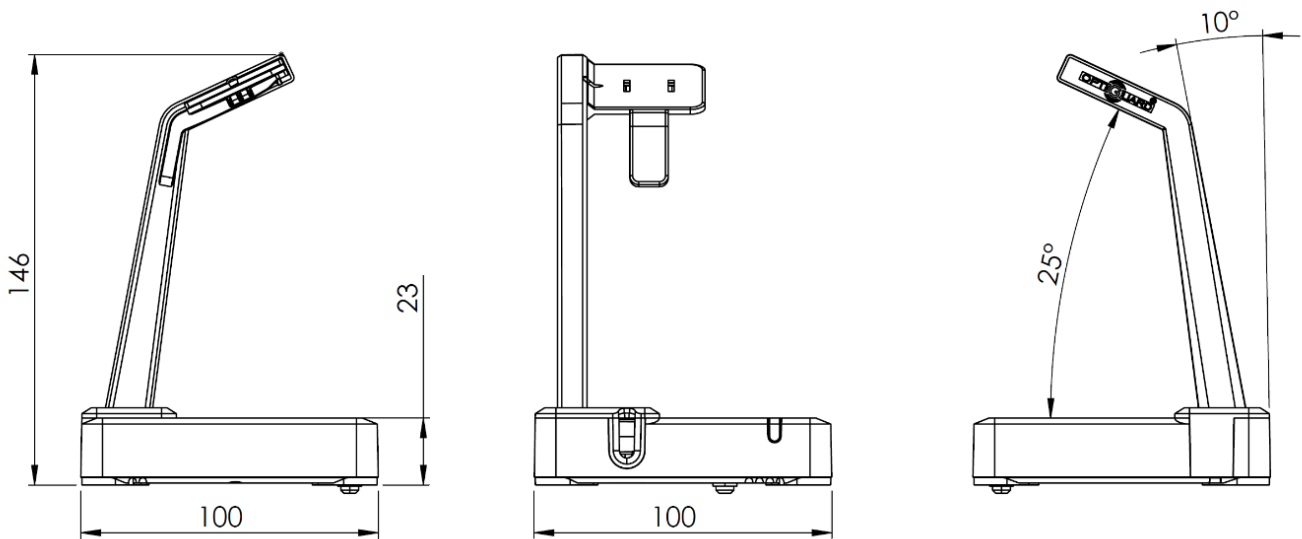
- quick installation



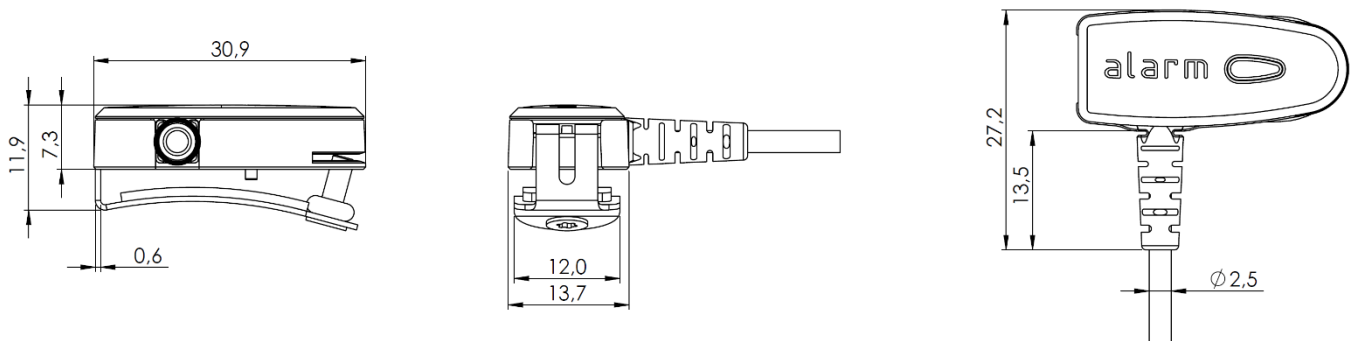
- convenient operation with remote controls

OPTI FITTING & PROTECTION WATCH

DIMENSIONS OF THE OPTIWATCH



DIMENSIONS OF THE OPTIWATCH-SENSOR

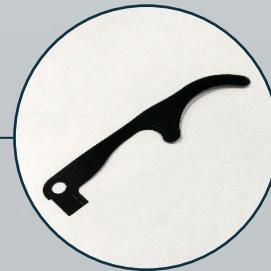


OPTI FITTING & PROTECTION WATCH

FUNCTIONS OF THE OPTIWATCH

Automatic charging of the product after putting it back into the docking station. Possibility to adjust the solution to every docking station.

Additional protection of the smartwatch case using Tear Sensor.



Optional functions in the form of Optimedia or Observer software.

Metal clamp protecting the smartwatch band from theft. Quick and easy installation.

Anti-sabotage switch protects the solution from theft.

LEDs indicating the working status of the security system.

Possibility to connect another sensor protecting Optiwatch. This function enables to protect two products simultaneously, e.g. smartwatch and smartphone.

Recoiler enables to freely and pleasantly test the product. Maximum length of the cable when extended is 80cm.



Possibility to lead the power cable out of the Optiwatch inside the furniture or on its surface.

Optiwatch installation on high quality stickers or neodymium magnets.

